

System
BK/BKS

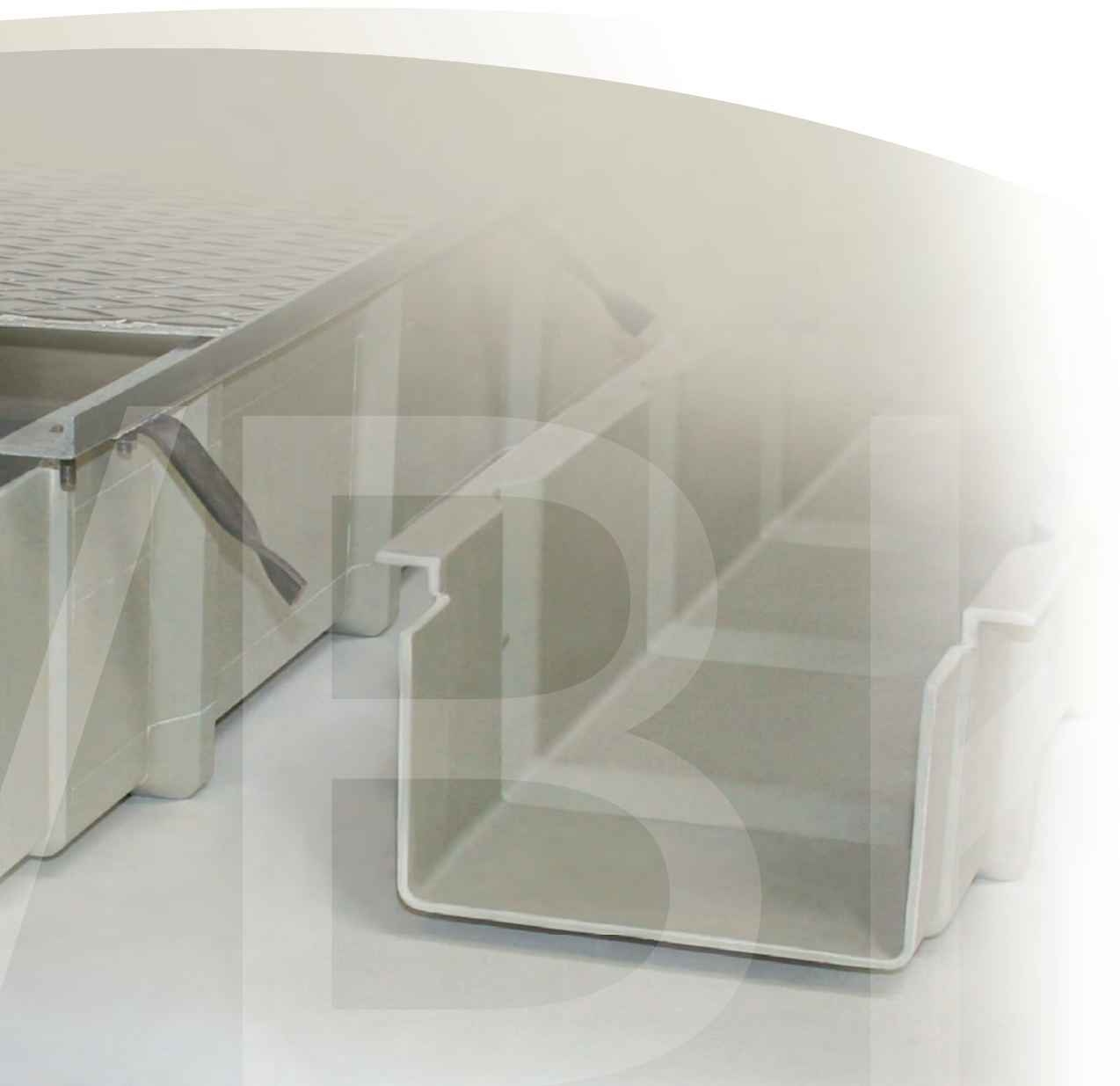
Ground ducts system available in heights    

 Ground ducts

 Covers

 Dividers

 Accessoires





The GRP EBO Systems ground ducts has been specially designed for outdoor use, with a quick installation as well in the ground or in concrete.

The bases are supplied in lengths of 2.5 m, the connection is made by sleeving and without screws, so the installation can be done by one man.

The ground ducts will be provided with an inking system during installation in the concrete. In case of conditions of extreme loads, covers must be proposed in different thicknesses.

GROUND DUCT SYSTEM BK/BKS

Available siderail heights    

SYSTEM	GRP ground ducts, pressed	BK	 109	 —	 109	 —
	GRP divider, pressed	BKT	 109	 —	 109	 —
	GRP ground ducts, pressed	BKS	 —	 111	 —	 111
ACCESSORIES	GRP covers for ground ducts, pressed	BKDR	110			
	Cover fixing, with clips	DF 94-4	110			
	Cover fixing, with clips and hinge	DF 94-C	110			
	Cover fixing	DF M	110			
	 NEW Cover fixing	DFUB	110			
	Steel ground ducts cover	BKDR	110			

GRP ground duct

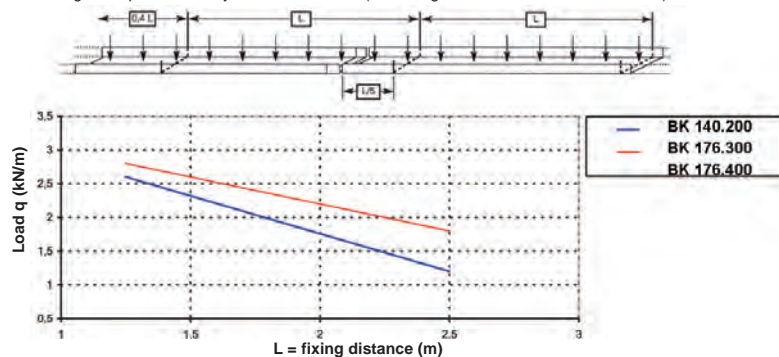
pressed, not perforated

Item ref.	RAL colour	Height	Height H1	Width B	width B1	Material thickness (th)	EAN code	Weight 100 units m	Min. pack.
		mm	mm	mm	mm	mm			
K23 BK 140.200	7032	140	124	200	192	4	952991	300,64	2,5 m
K23 BK 176.300	7032	176	160	300	292	4	953004	406,30	2,5 m
K23 BK 176.400	7032	176	160	400	392	4	953011	467,70	2,5 m

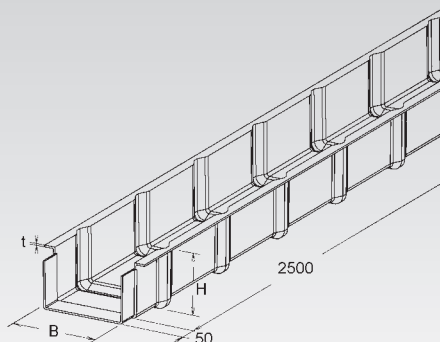
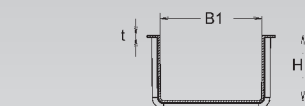
for the installation inside and on the floor

Interlocking and self-adjustable couplers, no screws required.

Load diagram : q = load evenly distributed cables (according to DIN EN IEC 61537 standard)



Warning : the deflection is measured with a junction position between 2 cable trays at a distance L/5 from the support. If this distance is not respected, it is necessary to raise the deflection values by approx. 30%.



GRP separator

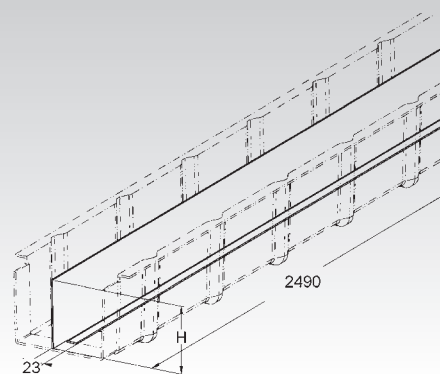
pressed

Item ref.	RAL colour	Height	EAN code	Weight 100 units	Min. pack.
		mm			
K23 BKT 140	7032	107	057672	49	2,5 m
K23 BKT 140/M	7032	107	057689	50	2,5 m
K23 BKT 176	7032	143	057696	66	2,5 m
K23 BKT 176/M	7032	143	057719	67	2,5 m

to separate cables with different functions and / or to separate voltages

The divider BKT... is delivered notmounted, it can be fixed in the cable tray with a bolt M 6x20V4A each 0,8 meter.

The divider BKT.../M could be delivered pre-installed (riveted), the position inside the cable tray should be defined with the order.



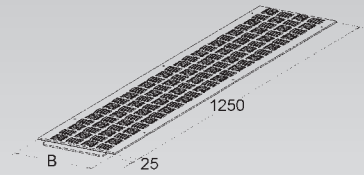
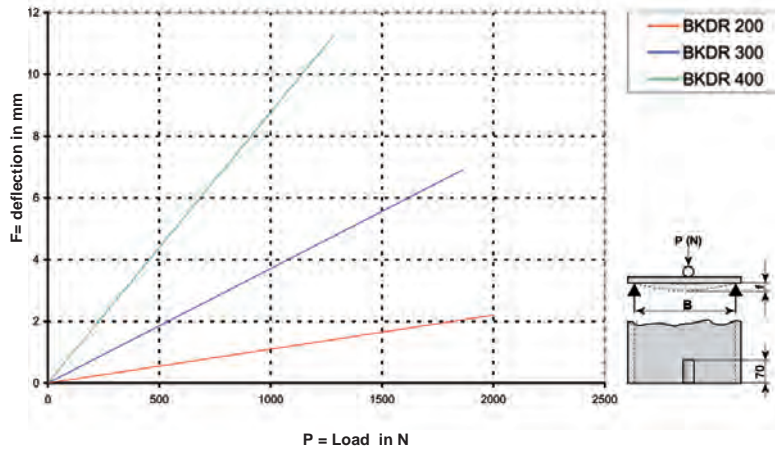
GROUND DUCT SYSTEM BK/BKS

Cover for cable ground duct

pressed, cover fixed with splice plates, with grooves on the whole surface.

Item ref.	RAL colour	Width B mm	Material thickness (th) mm	EAN code	Weight 100 units m	Min. pack.
K23 BKDR 200	7032	250	4,5	956029	296	1,3 m
K23 BKDR 300	7032	350	4,5	956036	400	1,3 m
K23 BKDR 400	7032	450	4,5	948543	528	1,3 m

Used for: Pressed ground duct BK with siderail H140 mm & H176 mm



Cover fixing clip

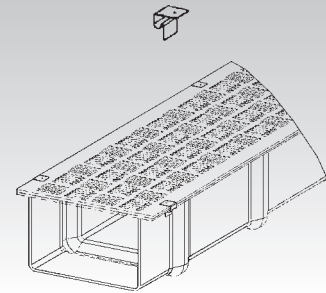
with clip

Item ref.	EAN code	Weight 100 units pc.	Min. pack.
E4 DF 94-4 E4	948550	0,9	1 p.

for the rigid fixing of the ground duct covers

Need : 3 pieces per cover

Used for: Cover for cable ground duct BKDR 200-400



Cover fixing clip

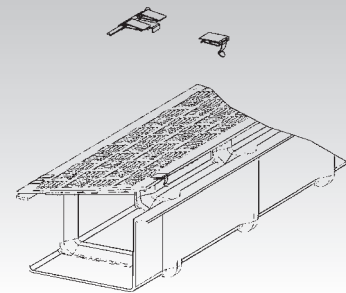
with clip and hinge

Item ref.	EAN code	Weight 100 units pc.	Min. pack.
E4 DF 94-C E4	957866	10	1 p.

for fixing covers on cables trays

Need : 3 pieces per cover

Used for: cover for cable ground duct BKDR 200-400



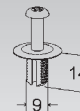
Cover fixing

Item ref.	EAN code	Weight 100 units pc.	Min. pack.
K01 DF M	957927	0,2	50 p.

Used for: Cover for cable tray KKD... and KPD...

Cover for fittings KKCD..., KKBD..., KKWD..., KKBAD..., KKBID..., KKETD..., KKSTD..., KKSSD..., KKRLD... und KKRRD...

For fixing the cover, it is necessary to drill a 8,2 mm diameter hole for the diameter. In extreme weather conditions such as strong winds, for example, the quantity of clips must be increased.

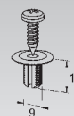


Cover fixing

Item ref.	EAN code	Weight 100 units	Min. pack.
E4 DFUB 5.5X19 E4	062065	0,64	50 p.

Used for: Cover for cable tray KKD... and KPD...
Cover for fittings KKCD..., KKBD..., KKWD..., KKBAD..., KKBID..., KKETD..., KKSTD..., KKSSD..., KKRLD... und KKRRD...

For fixing the cover, it is necessary to drill a 8,2 mm diameter hole for the diameter. In extreme weather conditions such as strong winds, for example, the quantity of clips must be increased.



Cable tray for a ground installation

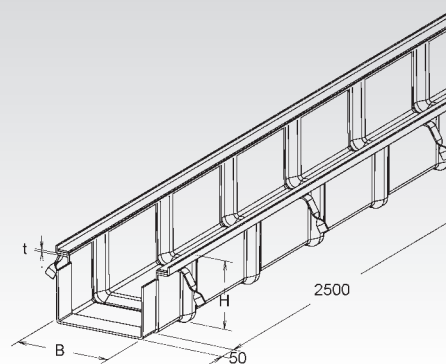
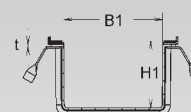
pressed, not perforated

Item ref.	RAL colour	Height mm	Height H1 mm	Width B mm	width B1 mm	Material thickness (th) mm	EAN code	Weight 100 units m	Min. pack.
K23 BKS 155.200	7032	155	131	200	192	4	962303	354,40	2,5 m
K23 BKS 191.300	7032	191	167	300	292	4	962310	462,02	2,5 m
K23 BKS 191.400	7032	191	167	400	392	4	962327	525,40	2,5 m

to install on the ground, on earth or on concrete

Warning : orientable concrete anchorage

Interlocking and self-adjustable couplers, no screws required



Steel cover for cable tray

with a grooved steel cover on the whole surface

Item ref.	Width B mm	Material thickness (th) mm	EAN code	Weight 100 units m	Min. pack.
F BKDR 200-5 F	250	5	956043	1.089,1	1,3 m
F BKDR 300-5 F	350	5	956050	1.524,1	1,3 m
F BKDR 400-5 F	450	5	956067	1.955,9	1,3 m
F BKDR 200-8 F	250	8	956074	1.736,5	1,3 m
F BKDR 300-8 F	350	8	956081	2.430,6	1,3 m
F BKDR 400-8 F	450	8	956098	3.121,4	1,3 m

Used for: Heavy duty ground duct BKS with siderail H155 & H191 mm

